






Jigsaws, Nibblers, Shears, Scissor shear and Foam Rubber Cutter





- Cold insulating, robust polyamide housing
- Slim grip for optimum grip comfort
- Powerful sleeve valve motor
- Waste air expels through handle
- High-quality cutting tools from the Bosch Accessory Programme
- Pendulum-stroke jigsaws

	Part Number	Cutting thickness (mm)
Jigsaw 	0 607 561 114	Wood 85 mm
	0 607 561 116	Mild steel 10 mm
	0 607 561 118	Alu + non-ferrous metal 15 mm
		Plastic 30 mm
Nibbler 	0 607 561 102	St 400 N/mm ² – 2.0 mm
	0 607 561 106	St 600 N/mm ² – 1.4 mm
	0 607 561 113	St 800 N/mm ² – 1.0 mm
		Al 200 N/mm ² – 2.5 mm not for V2A
Shear 	0 607 561 101	St 400 N/mm ² – 2.5 mm
	0 607 561 105	St 600 N/mm ² – 2.0 mm
	0 607 561 112	St 800 N/mm ² – 1.5 mm
		Al 200 N/mm ² – 3.2 mm
Scissor shear 	0 607 560 503	St 400 N/mm ² – 1.25 mm
		Al 200 N/mm ² – 1.75 mm
		Plastic – 3.0 mm
Foam Rubber Cutter 	0 607 595 100	up to 300 mm
	Saw blade guide and saw blades not included	

Stroke rate (rpm)	Output (W)	Air consumption under load (l/s)	(cfm)	Weight (kg)	Connecting thread	Internal hose width (mm)	Remarks	Comes complete with	Part Number
2400	400	12	25.4	1.8	1/4"-NPT	10	with locking switch	Nipple	3 603 386 013
2400	400	12	25.4	1.8	1/4"-NPT	10	with deadman switch	Silencer G1/2"	3 607 000 000
2200	400	12	25.4	1.8	1/4"-NPT	10	with lever switch	Saw blade set with anti-splinter guard	2 607 010 403
								Internal hexagon key SW5	1 907 950 006
1900	400	12	25.4	1.5	1/4"-NPT	10	with locking switch	Nipple	3 603 386 013
1900	400	12	25.4	1.5	1/4"-NPT	10	with deadman switch	Silencer G1/2"	3 607 000 000
1900	400	12	25.4	1.5	1/4"-NPT	10	with lever switch	Internal hexagon key SW2.5	1 907 950 003
								Punch	2 608 639 900
								Die	2 608 639 013
1900	400	12	25.4	2.2	1/4"-NPT	10	with locking switch	Nipple	3 603 386 013
1900	400	12	25.4	2.2	1/4"-NPT	10	with deadman switch	Silencer G1/2"	3 607 000 000
1900	400	12	25.4	2.2	1/4"-NPT	10	with lever switch	Internal hexagon key SW2.5	1 907 950 003
								Internal hexagon key SW5	1 907 950 006
								Built-in blade set	2 607 010 025
								Feeler and sharpening gauge	2 607 970 001
2600	320	6	12.7	1.3	1/4"-NPT	10	Cutting width 5 mm, smallest curve radius 300 mm	Nipple	3 603 386 013
								Internal hexagon key	2 607 950 004
3800	120	5.5	11.7	1.2	G1/4"	10	Please order saw blades and saw blade guides separately	Sole plate fitted	2 608 000 908
								Scraper	2 601 030 010
								Hose nipple	2 603 386 001

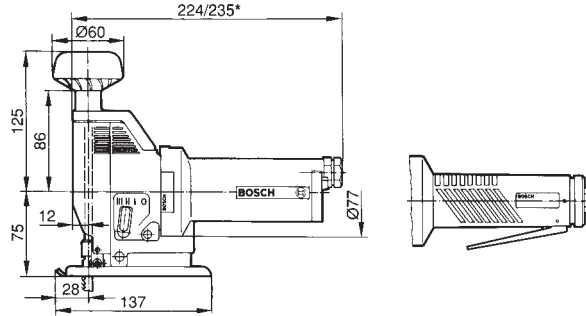
Accessories for Foam Rubber Cutter

	Part Number	Working length (mm)
Saw blade pair 	2 607 018 013	70
	2 607 018 010	130
	2 607 018 011	200
	2 607 018 012	300
Saw blade guide 	2 608 135 023	70
	2 608 135 020	130
	2 608 135 021	200
	2 608 135 022	300

Dimensional Drawings: Jigsaws, Nibblers and Shears

Part Number

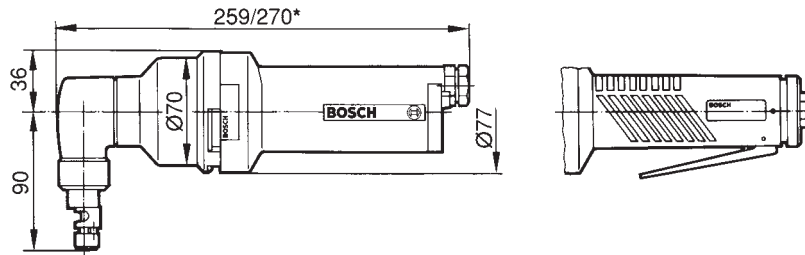
Size in mm



0 607 561 114

0 607 561 116

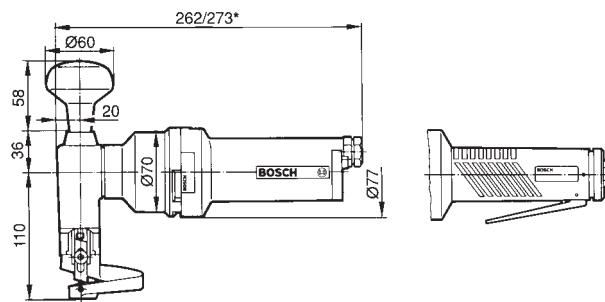
0 607 561 118



0 607 561 102

0 607 561 106

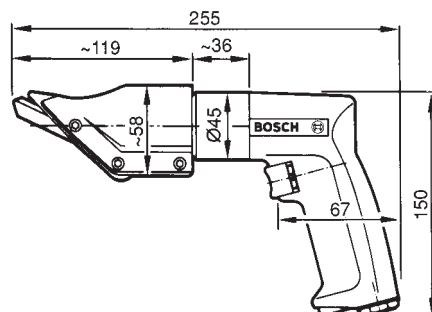
0 607 561 113



0 607 561 101

0 607 561 105

0 607 561 112



0 607 560 503

The specified dimensions are subject to change.

Dimensional Drawings: Foam Rubber Cutter

Size in mm

Part Number



0 607 595 100

